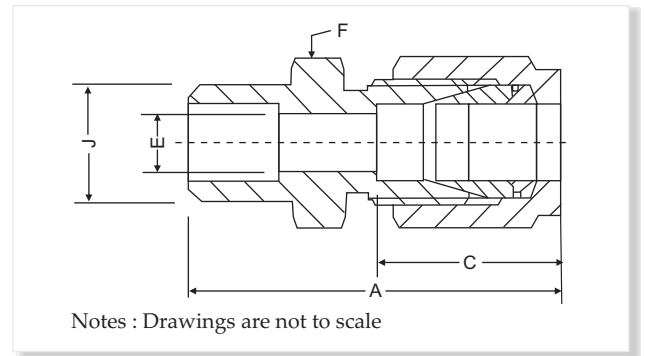


BUTT WELD CONNECTOR



Dimensional Details :



Dimension, in.

Tube OD	Butt Weld pipe Size	Part Number	A	C	J	F
1/4	1/4	K4BWC4	1.46	0.66	0.540	9/16
3/8	3/8	K6BWC6	1.60	0.70	0.675	3/4
1/2	1/2	K8BWC8	1.90	0.84	0.840	7/8
3/4	3/4	K12BWC12	1.99	0.87	1.050	7/8
1	1	K16BWC16	2.46	0.96	1.310	11/16

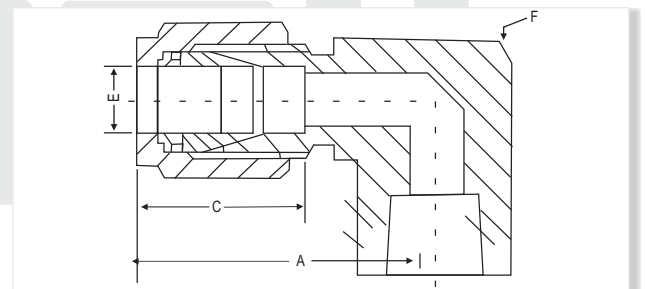
Dimension, mm

Tube OD	Butt Weld pipe Size	Part Number	A	C	J	F
6	1/4	KM6BWC4	37.7	17.7	13.7	14
8	1/4	KM8BWC4	38.7	18.6	13.7	15
8	1/2	KM8BWC8	44.8	18.6	21.3	22
10	3/8	KM10BWC6	40.1	19.5	17.2	18
10	1/2	KM10BWC8	45.7	19.5	21.3	22
12	1/2	KM12BWC8	48.2	22.0	21.3	22
16	1/2	KM16BWC8	49.0	22.0	21.3	24

FEMALE ELBOW



Dimensional Details :



Dimension, in.

Tube OD	NPT Female Thread Size	Part Number	A	C	E	F
1/8	1/8	K2FE2N	0.97	0.50	0.09	1/2
1/8	1/4	K2FE4N	1.08	0.50	0.09	11/16
1/4	1/8	K4FE2N	1.06	0.60	0.19	1/2
1/4	1/4	K4FE4N	1.17	0.60	0.19	11/16
1/4	3/8	K4FE6N	1.25	0.60	0.19	13/16
1/4	1/2	K4FE8N	1.36	0.60	0.19	1
3/8	1/4	K6FE4N	1.23	0.66	0.28	11/16
3/8	3/8	K6FE8N	1.31	0.60	0.19	1
1/2	1/4	K8FE4N	1.42	0.90	0.41	13/16
1/2	3/8	K8FE6N	1.42	0.90	0.41	13/16
1/2	1/2	K8FE8N	1.53	0.90	0.41	1
3/4	1/2	K12FE8N	1.57	0.96	0.62	11/16
3/4	3/4	K12FE12N	1.76	0.96	0.62	13/8
1	3/4	K16FE12N	1.93	1.23	0.88	13/8
1	1	K16FE16N	2.11	1.23	0.88	11/16

Dimension, mm.

Tube OD	NPT Female Thread Size	Part Number	A	C	E	F in
6	1/8	KM6FE2N	27.0	15.3	4.8	1/2
6	1/4	KM6FE4N	29.8	15.3	4.8	11/16
6	1/2	KM6FE8N	34.6	15.3	4.8	1
8	1/4	KM8FE4N	30.6	16.2	6.4	11/16
10	1/8	KM10FE2N	31.5	17.2	7.9	11/16
10	1/4	KM10FE4N	33.5	17.2	7.9	13/16
12	1/4	KM12FE4N	36.0	22.8	9.5	13/16
12	1/2	KM12FE8N	38.8	22.8	9.5	1
16	1/2	KM16FE8N	39.5	24.4	12.7	11/16

Note:

- A and C dimensions are typical finger-tight

Dimensions and specifications shown are approximate, may vary from time to time.

Ventil tube fittings are ordered by part numbers as listed in this catalogue and other sizes will be available on request.